

IMPORTANT - PLEASE READ



Installation of Red Stag SPC Hybrid Flooring (UNICLIC locking system)

Please read the installation instructions before installing your Dura Collection Hybrid float flooring.

- This is a float flooring system, so all care must be taken to ensure that the flooring is not restricted or pinched in any way and the correct expansion gaps are inserted. Following all the installation guidelines will prevent any issues that may arise due to restriction of the floating floor due to improper installation.
- Care and maintenance of your Hybrid flooring is also critical, so please read and follow the guidelines.

All data sheets and installation manuals (PDF) and videos can be
found on our site.

www.auslayindustries.com.au



Version Feb 2024
Any newer version
exceeds the previous
version

AUSLAY INDUSTRIES PTY LTD – AUSLAY FLOORING

IMPORTANT INSTALLATION INFORMATION “FLOORING EXPANSION GAPS AND FLOAT MOVEMENT”

“Floating floor expansion gaps” Following some simple installation requirements can eliminate any issues of joint breaking, cupping and squeaking of your SPC hybrid flooring. SPC hybrid flooring installation is a floating floor system. Correct substrate preparation is the most important part.

IMPORTANT : SPC HYBRID FLOORING is a floating floor system. Although SPC hybrid has very little expansion or contraction , it is important to allow float movement. So it is very important not to “pinch” the floor down or restrict the float movement in any way. Substrate preparation is also very important , it must be no more than 2mm variation up or down over a 2.0m radius. Self level your substrate before installation if it is more than this.

Moisture : It is very important to check the amount of moisture in your substrate before installing hybrid. The moisture reading should be no greater than 2.5% for an older slab and no greater than 3.9% for a new slab. If moisture is greater than this, you run the risk of potential issues with your hybrid flooring (warping or twisting). If moisture is present, then we recommend installing a 200um black builders plastic to cover the substrate first before installing your hybrid flooring.

Free to Float : Another very important factor to watch out for is if there is a potential for the back padding attached to the hybrid flooring will stick to the substrate. This can be from the substrate having a tacky feel to the surface, or the actual substrate itself. (example is particle board or concrete) - over a period of time the attached back pad on the hybrid may bond itself to the surface of the substrate. This will ultimately stop the flooring from being a float floor and may cause issues. To prevent a potential problem, we recommend simply rolling out a layer of 200um black builders plastic or install one of the many approved flooring underlayments first. This will prevent any issues from occurring.

Expansion Joints : Hybrid flooring can be installed in a single raft up to 18m x 15m. Any room sizes that exceed this should have an expansion joint installed between rafts. This will prevent any expansion issues that may occur and allow for any expansion movement over such a large area.

Perimeter gaps : keep your hybrid a minimum 6mm away from any wall or hard fixed structure. The structural movement of the building and the general float movement of the hybrid flooring are the main factor to consider. Keeping the correct expansion gap will allow for the float movement to occur correctly. Extremely hot conditions , or direct sunlight hitting your hybrid flooring may cause expansion issues. Although the expansion of SPC hybrid is less than 0.2mm @ 80°C , over 10 planks for example , can move up to 2mm. This is why having the correct amount of expansion gap is critical. Install your skirtings or scotias over this gap. Never fill the expansion gap, it must be left clear to allow the correct float movement.

Skirtings and Scotias : When installing skirting and scotias , its is important to fix to the wall only and not to the floor. You must have a gap between the shirting and the flooring so the float effect can occur. If this is installed down hard , it will create a pinch effect, stopping the floating effect from happening and can cause issues with your flooring. Ensure a 1mm - 2mm gap between the skirting and the flooring for movement , and this gap must be left clear to allow float movement.

Kitchens and fixed structures : Finishing around kitchen can be completed in several ways, but the 6mm gap from the structure must be allowed . Island bench gables , slide door base channels , solid structures such as brick walls or tiled skirtings. 1. Install a scotia bead, end stop, or skirting as per the above installation. Fix to the vertical only , not to the flooring. 2. Install the kick boards , scotia , skirting or end stops on the top of the flooring, maintaining the gap between the cover strip and the flooring. This will allow the float movement to still expand if it requires. (this joint must be 6mm minimum). * Never install your kitchen on top of your hybrid.

Doorways and expansion joints (flooring to carpet, tiles etc.) : It is important to allow for movement at these areas. Do not solid fix the flooring. Float movement must still be able to occur without any pinching effect. Leave a 6mm - 10mm gap between the flooring and the fixing point of any trim, such as T moulds , End stops , Transitions and cover strips. The trim or transition will cover the required joint , while allowing a float movement to be maintained. This is the same procedure for expansion joints in flooring.

AUSLAY INDUSTRIES PTY LTD – AUSLAY FLOORING

Stairs : When installing the “going” (tread) of a step, fully notch trowel suitable adhesive allowing a full bond to the step. Repeat the same procedure with the riser also. Maintain a 1mm - 2mm gap between the bottom of the riser and the step tread. This will allow for any expansion if it does occur.

Concrete Substrates : Firstly ensure that the moisture content has been checked (previously stated). If moisture is present, a layer of 200um black plastic is essential under the hybrid flooring. Any dips and highs must not exceed the tolerance of 2mm over a 2.0m radius. Self level the slab to ensure this before installing.

Timber Flooring Substrates : Strip timber, particle board , chipboard or any other building board that is used for structural floors must be fixed securely. The sub floor must have a minimum crawl space of 460mm underneath to prevent any moisture issues. Level or sand any low and high areas to a tolerance of 2mm over 2.0m . When this preparation is complete you must then install a 200um black builders plastic over the floor before installing your hybrid flooring. This will prevent the hybrid flooring from sticking to the substrate. All expansion joint requirements are to be adhered to.

Existing Tiles : If installing over existing tiles, make sure they are all secure. Check for highs and lows in the substrate and adhere to the same tolerance 2mm over 2.0m. If the grout joints are greater than 2mm deep then they must be levelled. If the grout joint are wider than 2mm , they must be levelled. If the existing tiles are textures in any way, we recommend a layer of 200um builders plastic be install before the hybrid flooring is laid.

Installing over underlays: Cork or rubber matt underlays must be glued to the substate first. Then you must install a layer of 200um black builders plastic. This will prevent the hybrid flooring from sticking to the underlay and causing potential issues.

Never install hybrid over carpet or any types of foam.

**** Your SPC Hybrid floor must be a complete floating system - Do not allow it to be “Pinched” down or restricted anywhere. This may cause issues and void product warranties.**



Hybrid Flooring Installation Instructions

Auslay Industries Pty Ltd recommends installation be carried out by a professional flooring installer.

GENERAL

1. Inspect product in good lighting conditions to ensure it is correct (colour, quality and quantity) as ordered. Open boxes cannot be returned. Auslay Industries Pty Ltd hybrid flooring is for interior use only.
2. Auslay Industries hybrid flooring needs to be acclimatized within the 12 hours prior to installation, unopened boxes should be acclimatized for a minimum of 12 hours at temperature between 18-27°C and a relative humidity between 30- 60%. This temperature and humidity range is to be maintained before, during and after installation.
3. Subfloor must be solid, flat (2mm over 1000mm), dry and clean. Auslay industries hybrid flooring can be installed over most existing floor coverings provided the floor is flat, dry and in the case of tiles in a residential installation, grout line tolerances are no more than 2mm wide and 2mm deep. Otherwise grout joints should be filled to the level of the tiles with a suitable leveler. Carpet, carpet underlay, vinyl plank/sheet and/or existing floating floors is not a suitable subfloor.
4. Minimum 6mm expansion gaps to be provided at all fixed vertical surfaces (including around cabinetry, island benches and all fixed furniture).
5. Check each board for visual defects and locking system integrity in optimal lighting before and during installation. Clean any debris out of locks before installation. Always use boards from several packs and inspect each board to get the best-balanced visual installation. Never install defective products.
6. Boards can be cut with the score-and-snap method for straight cuts, and with saws for complex cuts. If cutting boards using any type of saw, dust extraction and/or respiratory protection must be used as a minimum P2/N95 mask.
7. Skirting boards and/or end caps will be needed to cover the perimeter expansion gap. Fixings should be to the wall only, never directly to the floor. Silicone or caulking compound is not recommended and will void warranty.
8. Minimum width of boards for first and last rows is 50mm. End stagger of joins in rows should be minimum 300mm.
9. **Ensure that the first 3-4 rows are checked for straightness using a string line.** Continue to check for straightness at all stages of the installation.
10. Auslay Industries hybrid floors are stable and can be installed in individual rooms up to 18m long and 15m wide. In complex or multi room installation, internal expansion joints at doorways / thresholds are required.

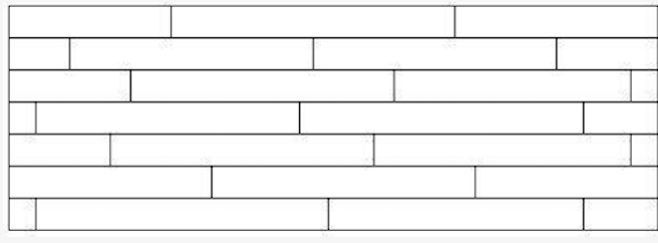
Please note:

1. Although Auslay industries hybrid floors are waterproof, it should not be used as a moisture barrier, and should not be installed in areas that have a continual risk of excessive moisture/ flooding such as bathrooms, toilets, laundry.
2. Hybrid floors must be installed using a floating floor system – they need to be able to move. Ensure expansion gaps allow for movement, and furniture items exceeding 200 kg are not placed on the floor.
3. Insufficient expansion gaps, including in doorways and under trims will cause a floor to potentially buckle, peak, cup, and/or separate, leading in most cases to floor failure.
4. Uneven subfloors can cause the locking system to break and/or the floor to sound drummy, or become noisy, and will cause early deterioration and/or failure of the floor.
5. When preparing wood floor boards or sheet-based subfloors, install rigid underlay sheet to achieve a smooth surface to install over. Common materials may include MDF, hardboard, plywood, or cement sheet.
6. Floors should never be laid over subfloor spaces where there are moisture problems. Doing so can lead to deterioration of the floor coverings and damage to the subfloor structure. If minor subfloor space moisture concerns are present, the moisture level needs to be tested and be in accordance with the latest Australian Standard. **It is recommended to install 200µm plastic sheet (black builder's plastic) before the hybrid flooring is installed over any subfloors. Also, it's essential that a similar plastic sheet is used when installing planks directly over all particleboard or OSB sheet subfloors, as the coarse fibres have been known to catch on the integrated underlay, impeding natural movement of the floor.**
7. Auslay industries hybrid floors are not recommended for hairdressing salons. Staining is the main factor.
8. Auslay Industries hybrid floors are not recommended for installation in wet areas, and if done so, the warranty will be voided.
9. Cleaning and Care Instructions must be followed to maintain the product warranty. Please ensure these instructions are left with the occupier.

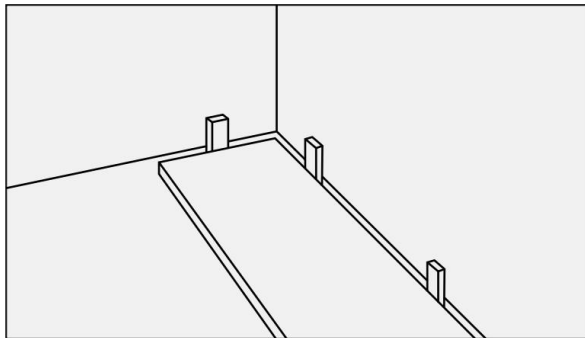
INSTALLATION

1. Perform preparation works including (but not limited to) any levelling, undercutting of door jambs and/or skirting boards.
2. Hybrid floors are normally installed adjacent the longest run where possible. Plan your installation, refer to note 8 below, which may necessitate trimming the first row. To stagger a floating floor, you simply need to ensure that the end joints are distributed as randomly as possible. There are no specific patterns to follow, and you should encounter no problems as long as

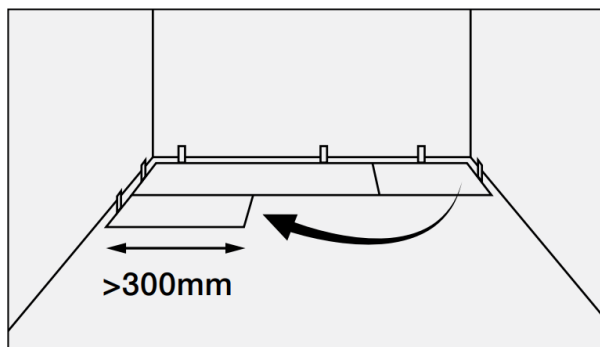
you create a unique pattern and randomize it, resulting in a more natural look. Additionally, this approach provides the flooring with added stability. See the example below.



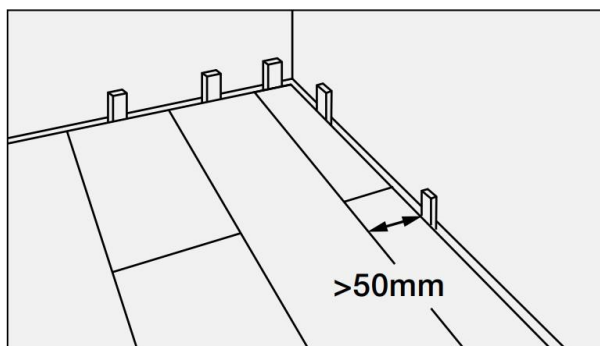
3. Start in the left corner, install the first row. Leave a minimum expansion gap of 6-10mm at ends and sides. The amount of expansion is dictated by the expected temperature fluctuations in the building. As a general rule, leave as much expansion as possible to allow for excessive temperature fluctuations.



4. Install the second row. Use the offcut from the first row to start the second row. It must be $>300\text{mm}$, and not closer than 300mm from the end joint in the previous row.



5. Continue laying the floor. Place wedges/packers to ensure the required expansion gap is respected.
6. At doorways, undercut the door jambs and door stop and slide the plank under, then lock in place.
7. At other fixed points, such as heater vents or fixed pipes, leave an expansion gap.
8. The final row must be a minimum 50mm in width. Glue the last row's end joints with PVC glue.
9. Internal expansion gaps are required at doorways/ thresholds and rooms exceeding $18\text{m} \times 15\text{m}$.



10. Remove spacers/wedges from around the room and install skirting boards and/or scotia and/or finishing trims. Never fix any trims directly to the floor and ensure fixing does not compromise expansion gaps. Silicone or caulking compound is not recommended.

Hybrid Flooring Cleaning & Care Guide

1. **Immediately** – clean up any liquid or water-based spills or any other potentially staining marks using a dry clean cloth. Though Homely Flooring hybrid floors are waterproof, don't leave liquid/water-based spills there just to test it. Homely Flooring hybrid floors are resistant to most spots and stains, however some materials or colourants (such as tar, grease, oil, dyes, waxes, ball point/marker pens, or foods/beverages containing strong dyes as mustard, curry, cordial, coffee, tea etc.) may under certain conditions migrate into the wear layer causing stains.
2. **Daily** or as required – remove any loose dirt or grit which could damage the floor by sweeping with a soft dry broom or vacuum (preferably with an effective dust filter and suction nozzle for hard surfaces turning off a powerhead, if installed).
3. **Weekly** – damp mop the floor using water and a pH neutral cleaner to remove any footprints, dirt and other stains or marks.
4. **As required** – stubborn scuffs and stains can easily be removed using a damp cloth or sponge with a diluted solution of methylated spirits. Ensure the methylated spirits is completely rinsed from the flooring.
5. **Never use a steam-mop or steam-cleaner.**
6. Never use abrasive cleaners, nylon scouring pads, steel wool, scouring powder or bleach as they may damage the floor.
7. Never use oil, soap, wax or polishes as these finishes may make the floor slippery and can leave a dull finish on the floor.
8. Place entrance mats (which must not have a rubber backing) at all external doors to trap dirt, sand, grit, moisture and other substances from shoes:
 - a. Double entrance mats are required for residential installations – 1 coarse external mat, and 1 medium internal mat.
 - b. Triple commercial mats with a minimum walk off zone of 3.5 metres are required for commercial installations – refer to mat manufacturer. Mats must be cleaned regularly.
9. Avoid placing any items with rubber backing on hybrid flooring, as over time, it may undergo a chemical reaction with the wear layer, potentially causing stains.
10. Use non-staining felt protectors under heavy pieces of furniture. Fit office chairs, filing trolleys, mobile containers and old hard- or sharp-edged castors on furniture with soft treads or castors. Chair pads should be used under desk chairs with castors.
11. Heavy objects and furniture such as large bookcases, full size billiard tables, freestanding bathtubs or kitchen units should not be situated on any floating installation. This can lead to the floor failing to respond to contraction and expansion, which can cause squeaking, gapping and possible failure.
12. Never drag, slide or roll furniture or appliances across your floor. Protect the surface if using a trolley to move heavy objects.
13. Floor to ceiling windows coupled with the Australian/New Zealand sun can create floor surface temperatures over 70°C. Auslay industries hybrid planks are manufactured to be stable in low and high temperatures (0-80°C). However, your floor should be protected from extreme temperatures and strong direct sunlight using interior temperature and humidity control (recommended temperatures 10-30°C and relative humidity levels between 30% and 70%), window tinting, awnings and/or curtains/ blinds. Dramatic temperature changes and/or extreme humidity can cause joints to lip/gap and prolonged direct sunlight will cause fading which will not be covered by the manufacturing warranty. To avoid fading and sun related issues you must use window coverings with UV protection. Hybrid flooring is not recommended for sun rooms.
14. Pet claws can scratch the flooring. Keep nails trimmed.
15. Spiked heels or shoes in need of repair can severely damage your floor. In areas of excessive traffic and wear, make use of runners or area rugs. Rugs should be cleaned regularly.

Dura Collection Hybrid Flooring Residential Warranty

Wear Warranty Period 25 Years for Auslay Industries Pty Ltd branded Hybrid flooring.

Auslay Industries Pty Ltd warrants our Hybrid flooring against manufacturing defects and the stated performance criteria and will remain an essential part of the flooring system for the period of the warranty for the relevant period provided.

The benefits conferred by this warranty are in addition to, and not in substitution for, any other rights and remedies given to consumers in relation to the goods under Australian Consumer Law and are subject to the following terms and conditions. All flooring products were produced using Vietnam manufacturing techniques to comply with Australian standards to ensure top product quality.

The owner of the product is solely responsible for taking all necessary steps in pre-installation checks. These include making sure that the environmental conditions are suitable for the product. The surface on which the floor is going on is repaired to best practice professional guidelines (consult professional installer).

Please note:

- Warranty applies to floors installed in accordance with the relevant Auslay Industries Hybrid installation instructions.
- Warranty applies to indoor applications only.
- This warranty is not transferable and applies only to the original purchaser. In the case of a builder or developer the owner of the residential property 6 months after purchase of the floor. Proof of purchase (Original receipt from Auslay Industries Pty Ltd or an authorized distributor) needs to be provided together with the claim.
- Warranty applies to new, first quality flooring.

Waterproof Warranty

Auslay Industries Hybrid is waterproof but it should not be used as a moisture barrier. If the subfloor moisture content was not tested and documented at the time of installation and, due to the accumulation of moisture under the floor covering, it was deemed the cause of floor failure (cupping, peaking, buckling joints, etc.), the warranty will be voided.

It will not be aesthetically or structurally affected by exposure to a reasonable amount of water from mopping or household spills. This warranty does not cover excessive or prolonged exposure to water from floods/ leaking appliances or pipes where water may build up under the floor causing mould or mildew, hydrostatic pressure, pet urine or other corrosive liquids or outside water (from snow, rain or water which enters through an open window or door, etc.)

Abrasion Warranty

Auslay Industries Hybrid protective wear layer will not wear through the decorative layer from household abrasive wear. Scratches, dents, chips and gloss level variation or reduction are not considered wear through and are not covered by this warranty.

Structural Warranty

Auslay Industries Hybrid will remain structurally sound and not delaminate for the period of the warranty. To ensure the warranty remains valid, it is crucial to adhere to the manufacturer's installation guide during the installation process.

Dura Collection Hybrid Flooring Commercial Warranty

Wear Warranty Period 10 Years for Auslay Industries Pty Ltd branded Hybrid flooring.

Applicable to Auslay Industries Pty Ltd Hybrid which has been installed in a commercial building. The manufacturer warrants to the original purchaser that the top surface layer will not wear through under normal conditions of wear and tear, for a period of ten years from the date of purchase. Gloss reduction and scratches caused by regular traffic are not considered wear through and are not covered by this warranty. The warranty becomes effective from the date of purchase.

Auslay Industries Residential and Commercial Warranty does not cover:

- Indentations, scratches, damage caused by negligence or accident, water ingress, insects, animals, high-heeled or spiked shoes, urine and high traffic areas.
- Failure to follow the manufacturer's written floor installation instructions, including protecting the floor from moisture from the subfloor and other sources.
- Exposure to excessive heat, sunlight or improper humidity in the environment.
- Improper maintenance, insufficient protection or misuse.
- Where subfloor heating is used.
- Natural disasters, earthquakes, tornadoes, floods or any other unmentioned disasters.
- Improper alterations to the original manufactured product. Alterations or repairs to the manufacturer's original product will void any warranties.
- Changes in colour or appearance due to full or partial exposure to sunlight, weather, ageing or refinishing.
- Failure due to structural changes in the subfloor, settling of the building or an uneven subfloor that has not been adequately levelled (+/- 2mm over 1m).
- Damage/growth/moisture gain from evaporative cooling.
- Failure to maintain adequate ventilation. Most commonly, this may result if areas of floor are closed off for extended periods of time causing excessive heat leading to moisture loss and damage to the floor.
- Labour charges associated with any rectification work.
- Excludes all clearance and discontinued flooring, trims, accessories and trade items.

Hybrid flooring colour variation is not considered a defect.

Claims Under Warranty:

- All claims are to be submitted in writing to Auslay Industries Pty Ltd. All claims must clearly outline the nature of the claim and all faults in detail.
- The owner must provide Auslay Industries proof of purchase, purchase date, owner details, quantities and the relevant invoice number. The owner must give Auslay Industries Pty Ltd the opportunity to process the claim. The owner must give Auslay Industries Pty Ltd the opportunity to examine the product and the installation site (subfloor). The owner must give an opportunity to investigate the claim prior to taking any further action. Under claim, the owner must not undertake any repair, removal or replacement of any product without consent from Auslay Industries in writing. The owner is responsible to comply with all warranty requirements.
- The liability of Auslay Industries Pty Ltd is limited to the replacement of the defective product if it matches the warranty guidelines. Auslay Industries Pty Ltd will consider a full refund equal to the purchase price in the original invoice. Auslay Industries Pty. Ltd. is not liable for any replacement or repair of any product organized by the owner.

How do I make a claim?

If your Auslay Industries Hybrid fails to perform and you are satisfied you have followed the warranty guidelines and associated installation and maintenance guidelines, please contact us at info@auslayindustries.com.au to arrange an onsite inspection.